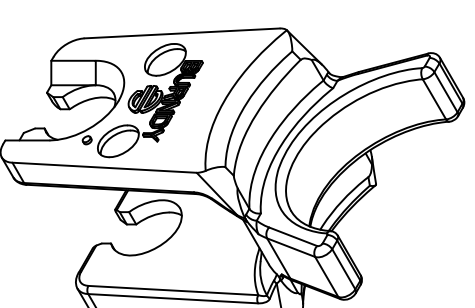
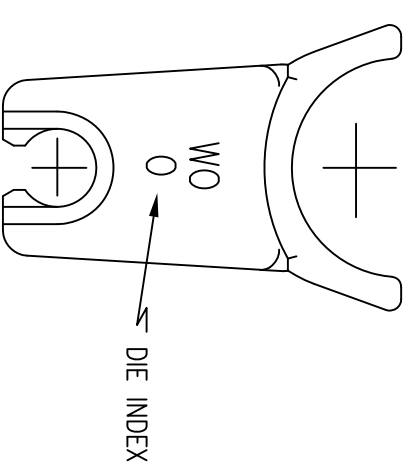
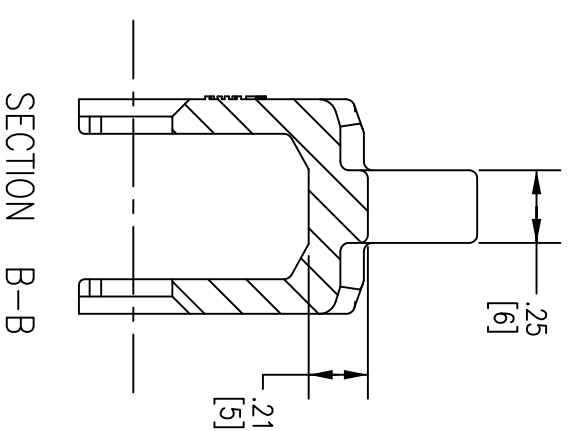
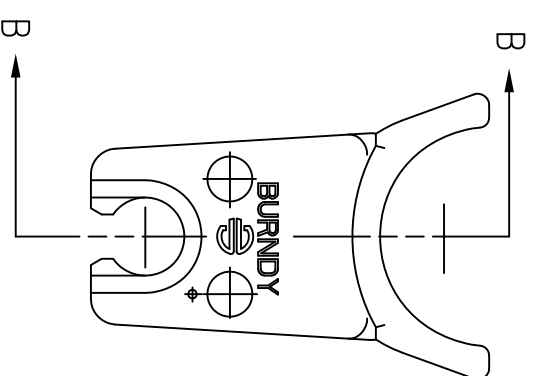
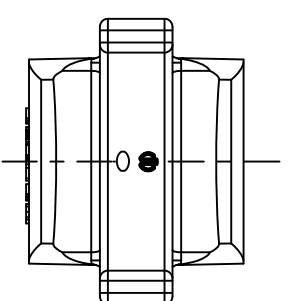


CATALOG NUMBER	DESCRIPTION
HWO	0 INDEX DIE SET



- TECHNICAL NOTES:
1. KIT CONTAINS ONE DIE SET.
  2. MATERIAL : STAINLESS STEEL.
  3. FITS HPAT600LI AND HMD7 COMPRESSION TOOLS.
  4. SPECIFICATIONS SUBJECT TO CHANGE WITHOUT NOTICE.

Created on AUTOCAD		DIMENSIONING AND TOLERANCE PER ANSI Y14.5M-1982 UNLESS OTHERWISE SPECIFIED, DIMENSIONS ARE IN INCHES (MM). TOLERANCES .XX = ±.01 (.25) .XXX = ±.005 (.127) .XXXX = ±.0025 (.0635) ANGLE TOL ±1°		PROJECT REFERENCE: <b>2011-041</b>		HUBBELL Hubbell Premise Wiring HUBBELL INCORPORATED (Delaware) 23 CLARA DRIVE, SUITE 103 MYSTIC, CT 06355	
IN ACCEPTING OUR DRAWINGS, BLUEPRINTS, OR SUPPORTING DOCUMENTATION FOR QUOTATION OR OTHER PURPOSES, YOU AGREE NOT TO DISCLOSE TO OTHERS THE IDEAS, INFORMATION, OR DESIGNS SHOWN HEREIN, AND THAT YOU WILL MAKE NO USE OF SAME WITHOUT PERMISSION		MATERIAL: SEE NOTES		DRAWN BY: C. GRIBBLE 10/9/12		TITLE: DIE SET, 0 INDEX W DIE SET FAMILY	
REV. 1		18024		12/10/12		INITIAL RELEASE	
ECN		DATE		CHG BY		APPD BY	
DESCRIPTION		MMA					

SIZE	DRAWING NO.	REV.
C	HW514177C	1
SCALE:	N/A	SHEET 1 OF 1